

Engineering and Services

BRE is a turn key engineering solutions provider who specialises in developing elegant solutions to difficult problems. As a client you will work directly with an engineer who you can call at any time. The engineer will work with you to understand your needs and

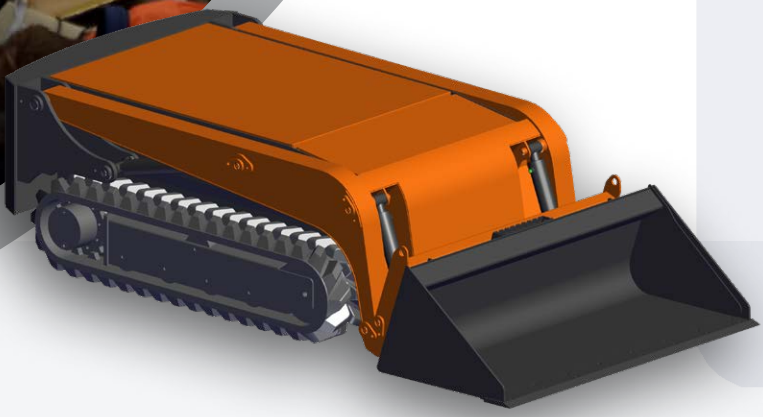
follow your job from concept through to final solution. We strive to maintain and improve our services by reinvesting in our business and believe that continually reviewing our management system is key to improved reliability of our products and services.

- 
- 2D / 3D CAD Engineering Design
 - Drafting
 - Prototyping and Testing
 - R & D Project
 - Process & Flow Sheet Development
 - FEA & Analysis
 - Laser Scanning
 - Project Management
 - Design Verification & Certification
 - Control System Development
 - Mechanical, Electrical & Software Development



BRE Engineering stands by our people, products and workmanship. We are driven to go beyond the standard approach when providing engineering solutions.

BRE's core values are: Integrity, honesty, innovation and trust. Committing to the sustainability of the environment and adhering to health and safety standards are utmost priorities in our everyday business.



-  2 / 22 Hines Road,
O'Connor, Western Australia 6163
-  Simon Brennan +61 447 964 813
-  simon@bre.engineering
-  www.bre.engineering

